



# T&S BRASS AND BRONZE WORKS, INC.

2 Saddleback Cove / P.O. Box 1088  
Travelers Rest, SC 29690



REG. #A2601  
ISO #9001

Model No.

**B-0968**

Item No.

Travelers Rest, SC: 800-476-4103 • Simi Valley, CA: 800-423-0150 • Fax: 864-834-3518 • www.tsbrass.com

This Space for Architect/Engineer Approval

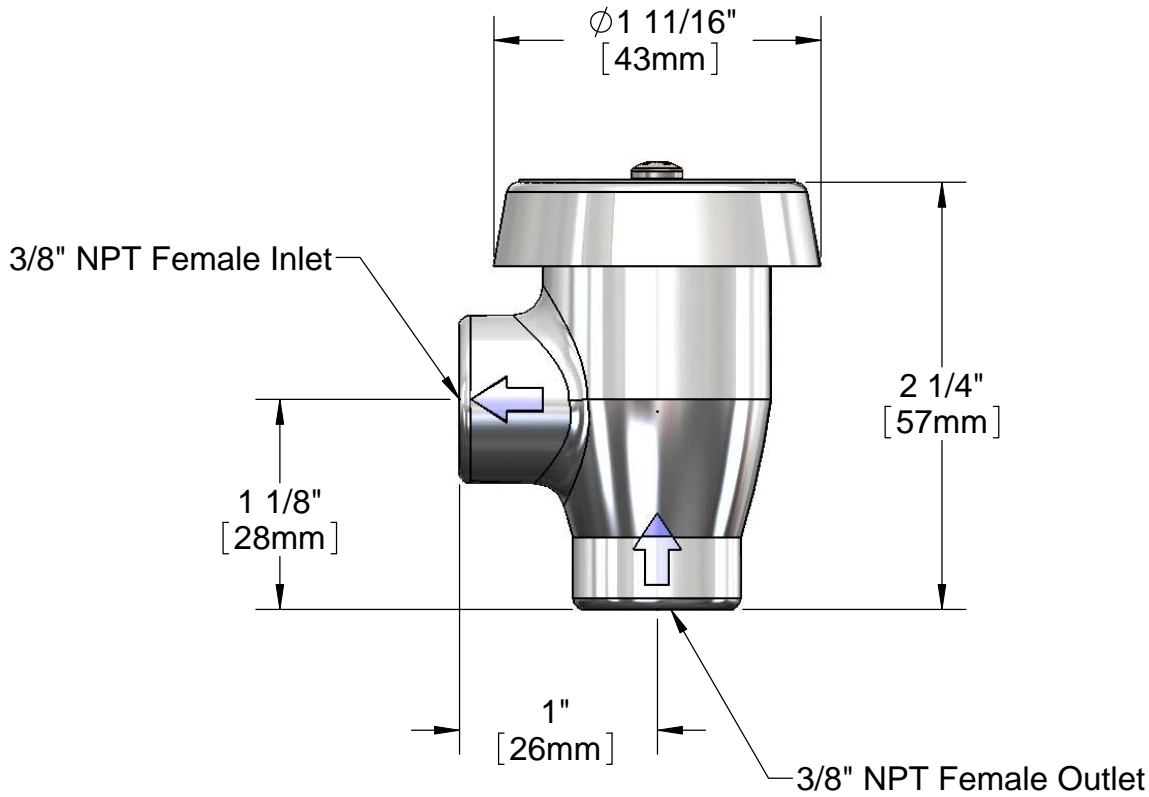
Job Name \_\_\_\_\_ Date \_\_\_\_\_

Model Specified \_\_\_\_\_ Quantity \_\_\_\_\_

Customer/Wholesaler \_\_\_\_\_

Contractor \_\_\_\_\_

Architect/Engineer \_\_\_\_\_



Note: Meets Requirements of ASSE 1001  
and CSA B64.1.1

Product Specifications:  
Atmospheric Vacuum Breaker Assembly w/ Polished Chrome Finish  
3/8" NPT Female Inlet & Outlet

Drawn

DHL

Checked

KJG

Approved

JHB

Scale:

1:1

Date:

04/05/11